

HIGH CURRENT INDUCTORS

MODEL NO : PSC-270220 HF SERIES

FEATURES:

- * LOW CORE LOSS AND HIGH EFFICIENCY PERFORMANCE.
- * CLOSED MAGNETIC FIELD CONSTRUCTION FOR HIGH DENSITY BOARD ASSEMBLY
- * VERTICAL MOUNTING PROVIDES A SMALL FOOTPRINT.
- * COMPLIANT WITH RoHS AND HALOGEN FREE.



APPLICATION:

- DC/DC CONVERTER IN POWER REGULATION SYSTEM.
- PV INVERTERS.

ELECTRICAL SPECIFICATION:

MODEL NO	INDUCTANCE ±10% (uH)	DCR (mΩ)		RATED CURRENT (ADC) (NOTE4)	TEMPERATURE RISE CURRENT (ADC) (NOTE2)	SATURATION CURRENT (ADC) (NOTE 3)
		NOM	MAX			
PSC-270220-3R3 HF	3.3	2.30	2.60	33.0	33.0	> 100.0
PSC-270220-4R7 HF	4.7	2.30	2.60	33.0	33.0	72.0
PSC-270220-6R8 HF	6.8	2.30	2.60	33.0	33.0	54.0
PSC-270220-100 HF	10	2.30	2.60	33.0	33.0	37.0
PSC-270220-150 HF	15	2.30	2.60	24.5	33.0	24.5
PSC-270220-150L HF	15	4.50	5.00	31.0	31.0	32.5
PSC-270220-220 HF	22	2.30	2.60	16.4	33.0	16.4
PSC-270220-220L HF	22	5.50	6.10	22.0	22.0	25.5
PSC-270220-330 HF	33	2.30	2.60	10.3	33.0	10.3
PSC-270220-330L HF	33	7.60	8.40	18.5	18.5	20.0

NOTE (1): Test frequency: 300 KHZ ,0.1Vrms.

NOTE (2): $\Delta T=40^{\circ}\text{C}$ approximately under the temperature rise current.

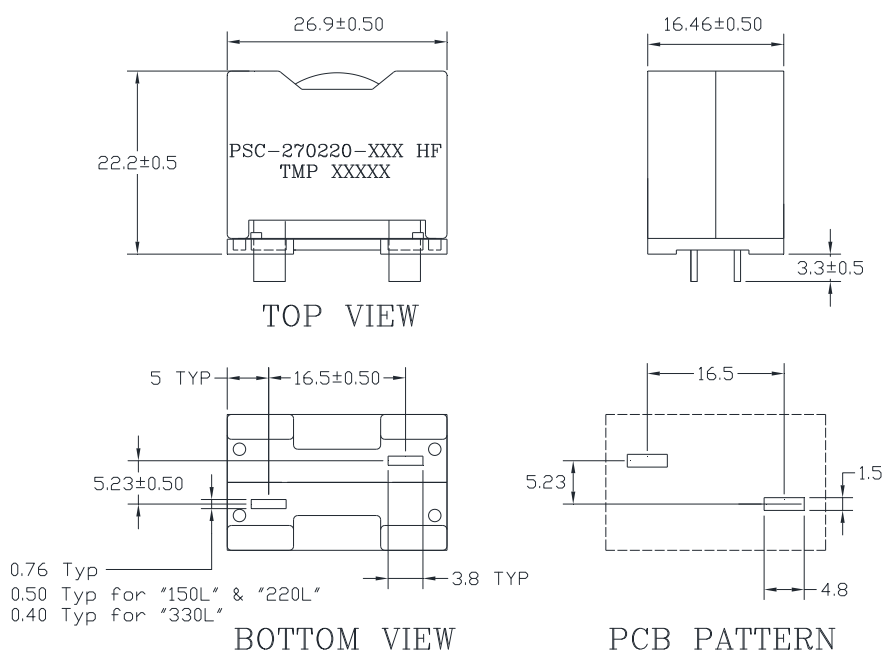
NOTE (3): The saturation current indicates the value of DC current is approximately 30% lower than its initial value of inductance.

NOTE (4): The rated current is either the saturation current or the temperature rise current depending on which value is lower.

NOTE (5): Operating temperature range: $-40^{\circ}\text{C} \sim +125^{\circ}\text{C}$

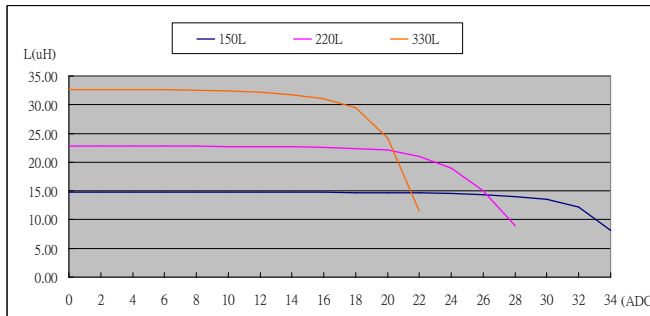
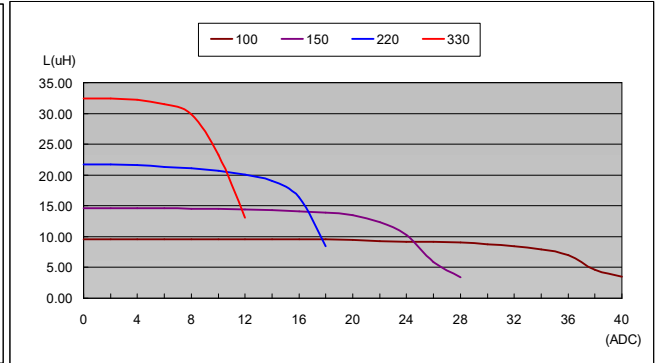
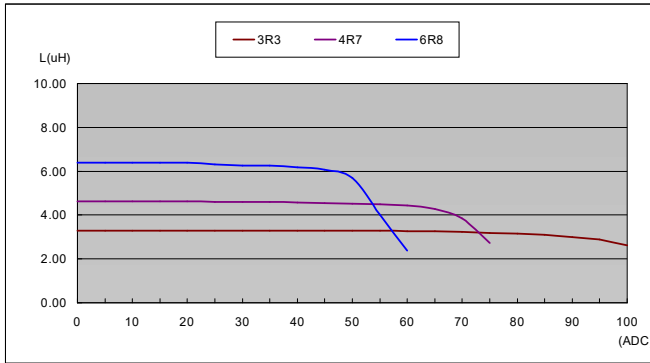
NOTE (6): Weight :37g

PHYSICAL DIMENSION : (UNIT:mm)



TOLERANCE: ± 0.3

INDUCTANCE VS DC BIAS:



TEMPERATURE RISE VS DC BIAS:

