

# SMD HIGH CURRENT INDUCTORS



**MODEL NO. : SSC-12835 HF SERIES**

**FEATURES:**

- \* SUPERIOR QUALITY FOR AN AUTOMATED PRODUCTION LINE.
- \* AEC-Q200 COMPLAINCE.
- \* PICK AND PLACE COMPATIBLE.
- \* TAPE AND REEL PACKING.
- \* COMPLIANT WITH RoHS AND HALOGEN FREE.



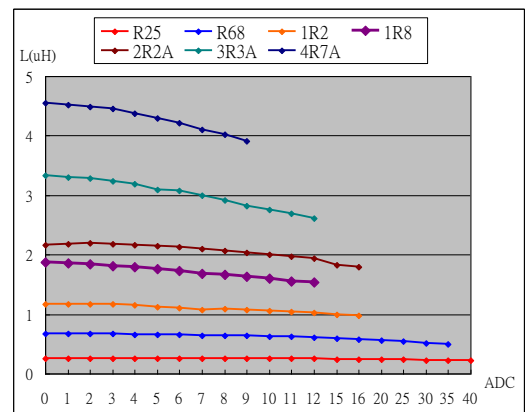
**APPLICATION :**

- \* NOTEBOOK COMPUTERS.
- \* VGA CARD.

**ELECTRICAL SPECIFICATION:**

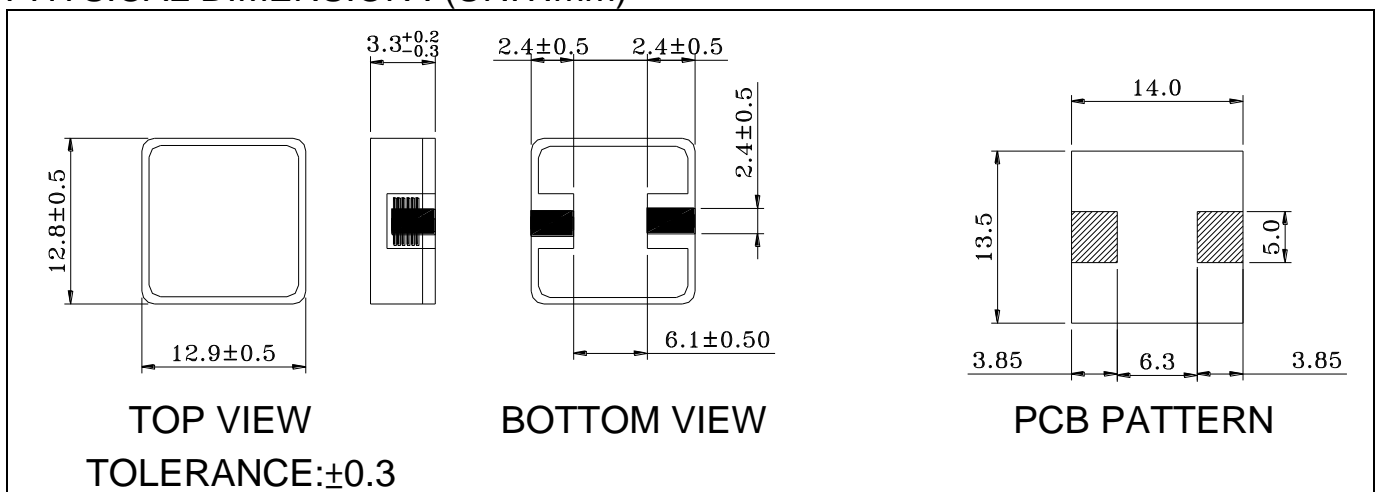
PART NO	INDUCTANCE (uH) ±20%	DCR ±10% (mΩ)	INDUCTANCE (uH) TYP	TEMPERATURE RISE CURRENT (ADC)	SATURATION CURRENT (ADC) (NOTE 3)
SSC-12835DD-R25 HF	0.25±30%	0.75	0.23	21	40
SSC-12835DD-R68 HF	0.68	1.58	0.56	20	32
SSC-12835DD-1R2 HF	1.2	2.85	0.95	15.5	15
SSC-12835DD-1R8 HF	1.8	5.60	1.50	11.5	11
SSC-12835DD-2R2A HF	2.2	5.70	1.88	12	14
SSC-12835DD-3R3A HF	3.3	8.10	2.70	11	12
SSC-12835DD-4R7A HF	4.7	13.3	4.0	7.5	9

**INDUCTANCE VS DC BIAS:**



NOTE(1): Test frequency: 100 KHZ, 1Vrms.  
 NOTE(2): Δ T=40°C approximately under the temperature rise current.  
 NOTE(3): The saturation current indicates the value of DC current is approximately 20% lower than its initial value of inductance.  
 NOTE(4): Operating temperature range: -40°C ~ +150°C

**PHYSICAL DIMENSION : (UNIT:mm)**



**PACKAGING SPEC:**

1. REEL SIZE & UNITS PER REEL :13",400PCS.
2. TAPE WIDTH:24mm.
3. REEL WIDTH:29.5mm
4. COMPONENT PITCH:16mm