

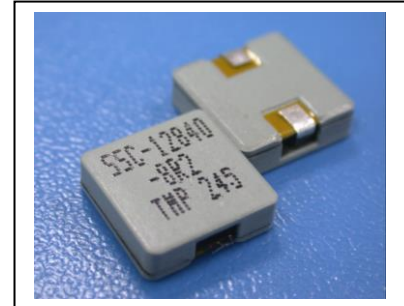
SMD HIGH CURRENT INDUCTORS



MODEL NO. : SSC-12840 HF SERIES

FEATURES:

- * SUPERIOR QUALITY FOR AN AUTOMATED PRODUCTION LINE.
- * AEC-Q200 COMPLIANCE.
- * PICK AND PLACE COMPATIBLE.
- * TAPE AND REEL PACKING.
- * COMPLIANT WITH RoHS AND HALOGEN FREE.



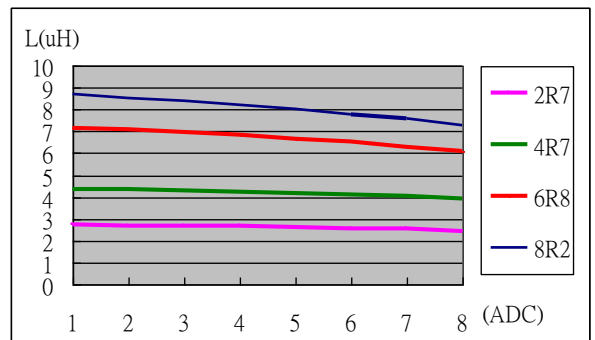
APPLICATION :

- * NOTEBOOK COMPUTERS

ELECTRICAL SPECIFICATION:

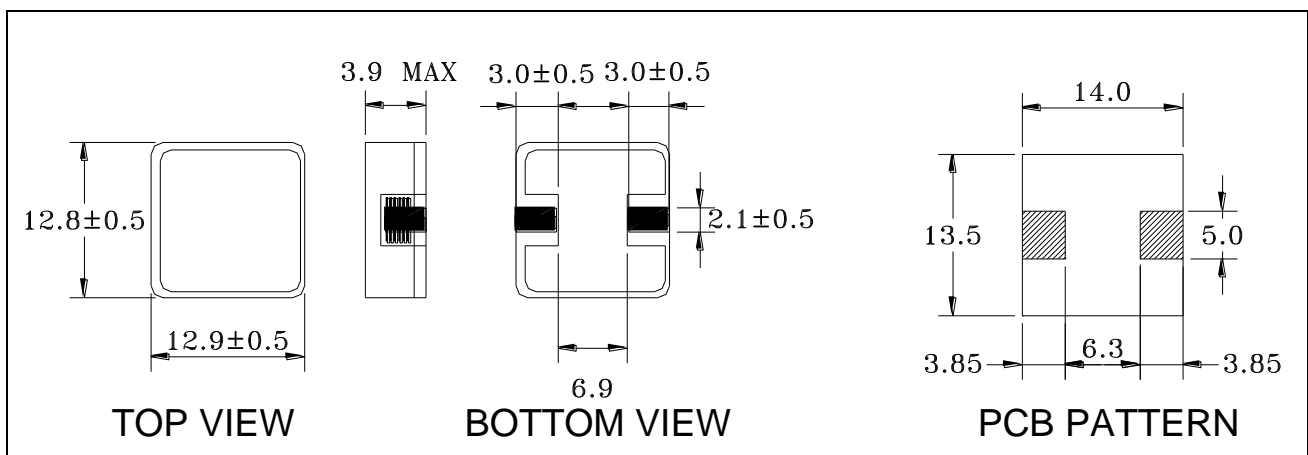
PART NO	INDUCTANCE (uH) ±20%	DCR MAX (mΩ)	INDUCTANCE (uH) TYP @ RATED CURRENT	RATED CURRENT (ADC)
SSC-12840-0R7 HF	0.7	2.9	0.67	18
SSC-12840-1R8 HF	1.8	4.3	1.5	13.5
SSC-12840-2R7 HF	2.7	5.8	2.16	12
SSC-12840-3R7 HF	3.7	8.0	2.97	10.5
SSC-12840-4R7 HF	4.7	14.0	3.9	8.5
SSC-12840-6R8 HF	6.8	23.0	5.6	6.0
SSC-12840-8R2 HF	8.2	25.0	6.8	5.7

INDUCTANCE VS DC BIAS:



NOTE(1): Test frequency: 100 KHZ,1Vrms.
 NOTE(2): Δ T=40°C approximately under the rated current.
 NOTE(3): Operating temperature range: -40°C ~ +150°C

PHYSICAL DIMENSION : (UNIT:mm)



PACKAGING SPEC:

1. REEL SIZE & UNITS PER REEL :13",400PCS.
2. TAPE WIDTH:24mm.
3. REEL WIDTH:29.5mm
4. COMPONENT PITCH:16mm