

SMD HIGH CURRENT INDUCTORS

MODEL NO. : SSC-260090 HF SERIES

FEATURES:

- * LOW CORE LOSS AND HIGH EFFICIENCY PERFORMANCE.
- * CLOSE MAGNETIC PATH FOR LOW LEAKAGE FLUX.
- * LOW DCR WITH FLAT WIRE DESIGN.
- * COMPLIANT WITH ROHS AND HALOGEN FREE.



APPLICATION :

- * DC/DC CONVERTER IN POWER REGULATION SYSTEM.
- * PV INVERTERS

ELECTRICAL SPECIFICATION:

MODEL NO	INDUCTANCE (uH)±10% @0ADC	DCR ±15% (mΩ)	TEMPERATURE RISE CURRENT (ADC) (NOTE 2)	SATURATION CURRENT (ADC) (NOTE 3)	TOTAL HEIGHT MAX (mm) (H)
SSC-260090-R60 HF	0.60	0.41	72	> 80	8.95

NOTE(1): Test frequency: 100 KHZ,0.1Vrms.

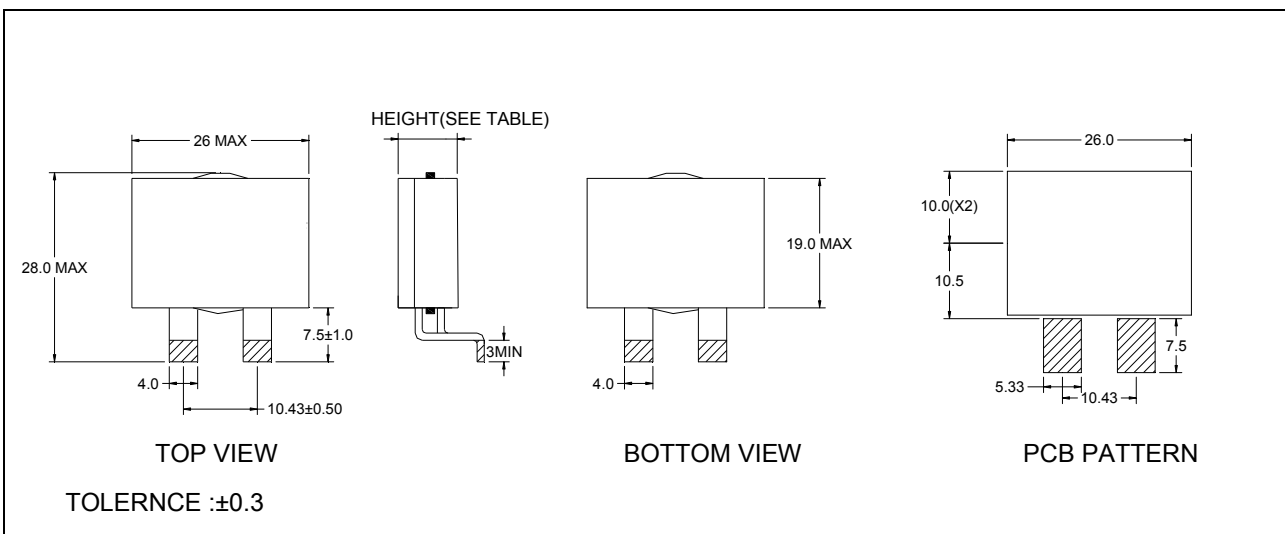
NOTE(2): Δ T=40°C approximately under the temperature rise current

NOTE(3): The saturation current indicates the value of DC current is approximately 20% lower than its initial value of inductance.

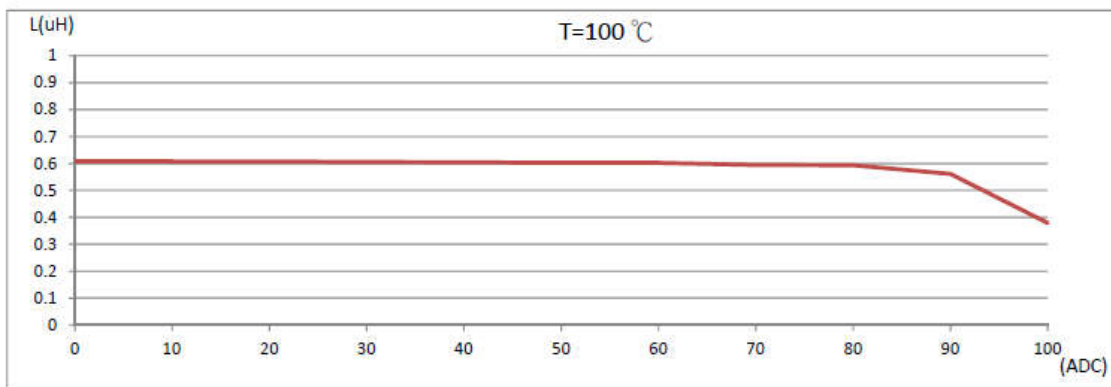
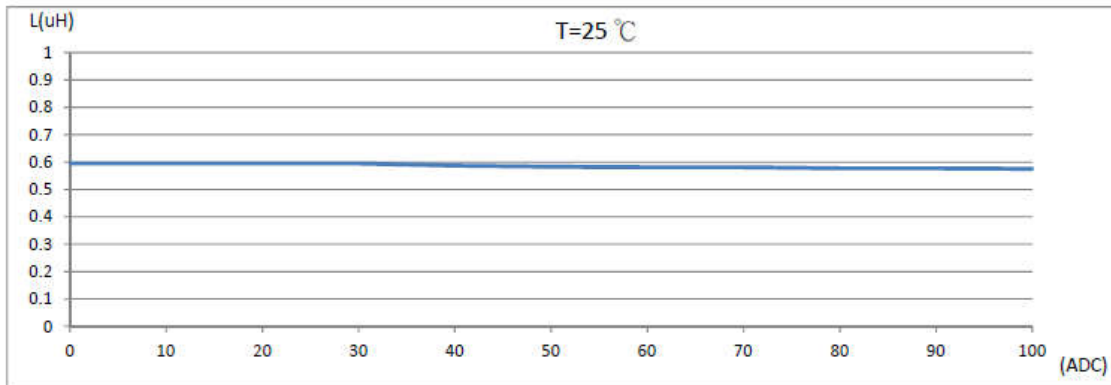
NOTE(4): Operating temperature range: -40°C ~ +130°C

NOTE (5): Weight : 17.6g / pcs, typical.

PHYSICAL DIMENSION : (UNIT:mm)



INDUCTANCE vs DC BIAS:



TEMPERATURE RISE vs DC BIAS:

